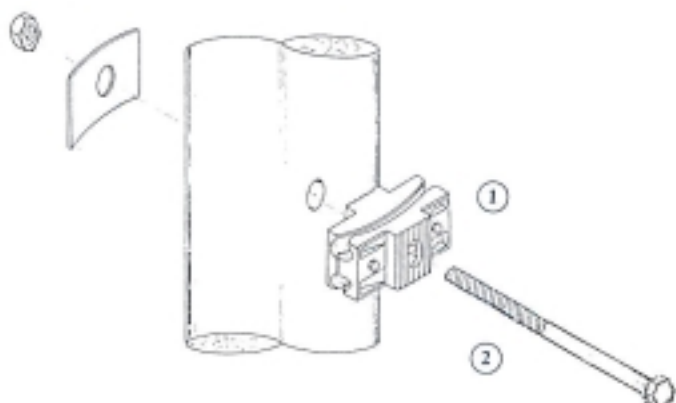


A 2-1 page 1

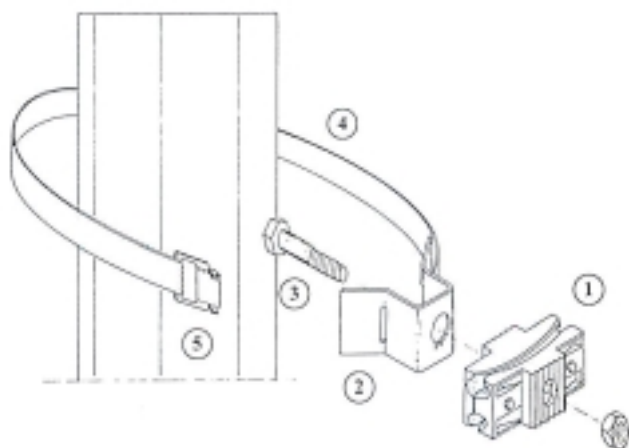


Securing wooden poles – with bolt



Item	Designation	Reference
1	Suspension jaws	30/34
2	Bolt	1/6

Securing on metallic poles – with one band



Item	Designation	Reference
1	Suspension jaws	30/34
2	Suspension plate	30/41
3	Assembling bolt	1/13
4	20 mm or _ in band	SB204 or SB207
5	20 mm or _ buckle / clip	B20 or A20